

WS218X

Dual-driver vented sub-bass system

features

- ▶ Dual, direct radiating long excursion 18" (460mm) drivers
- ▶ High temperature 4" (100mm) voice coils
- ▶ High power – 136dB continuous, 142dB peak
- ▶ Fitted with handles and castors

applications

- ▶ Theatre sound systems
- ▶ Club sound reinforcement
- ▶ Special effects sub-bass

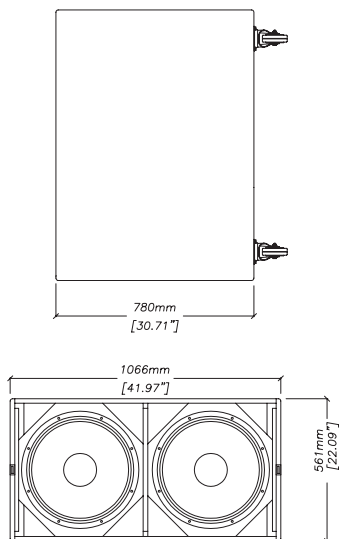


The WS218X is a high performance sub-bass system designed for use with large scale Wavefront and Blackline systems, in both touring and install applications. It features twin, 1000 watt 18" (460mm) drive units with magnet structure and suspension engineered for maximum linear excursion.

The birch ply cabinet is fitted with six pocket handles and four 4" (100mm) castors for easy deployment. It features large area porting to reduce air noise.

WS218X subwoofers are designed to be powered by Martin Audio MA4.2s power amplifiers.

overall dimensions



WS218X

technical specifications

TYPE	Dual-driver vented sub-bass system
FREQUENCY RESPONSE (1)	35Hz-150Hz \pm 3dB
DRIVERS	2 x 18" (460mm)/4" (100mm) voice coil, ultra-long excursion, water resistant cone
RATED POWER (2)	2000W AES, 8000W peak
SENSITIVITY (3)	105dB (half space)
MAXIMUM SPL (4)	136dB continuous, 142dB peak (half space)
NOMINAL IMPEDANCE	4 ohms
CROSSOVER	70Hz-150Hz, via DX1 controller
ENCLOSURE	320 litre, multi-laminate birch ply
FINISH	Textured black paint
PROTECTIVE GRILLE	Black perforated steel
CONNECTORS	2 x Neutrik NL8
FITTINGS	4 x 4" (100mm) castors 6 x pocket handles 2 x front lid fittings
DIMENSIONS (inc. wheels)	(W) 1066mm x (H) 561mm x (D) 780mm (911mm) (W) 42ins x (H) 22.1ins x (D) 30.7ins (35.9ins)
WEIGHT	89kg (196.2lbs)

Century Point, Halifax Road, Cressex Business Park,
High Wycombe, Buckinghamshire HP12 3SL, England.
Telephone: +44 (0)1494 535312 Facsimile: +44 (0)1494 438669
E-mail: info@martin-audio.com
All information is Copyright © 2006 Martin Audio Ltd.



www.martin-audio.com

touring and theatre